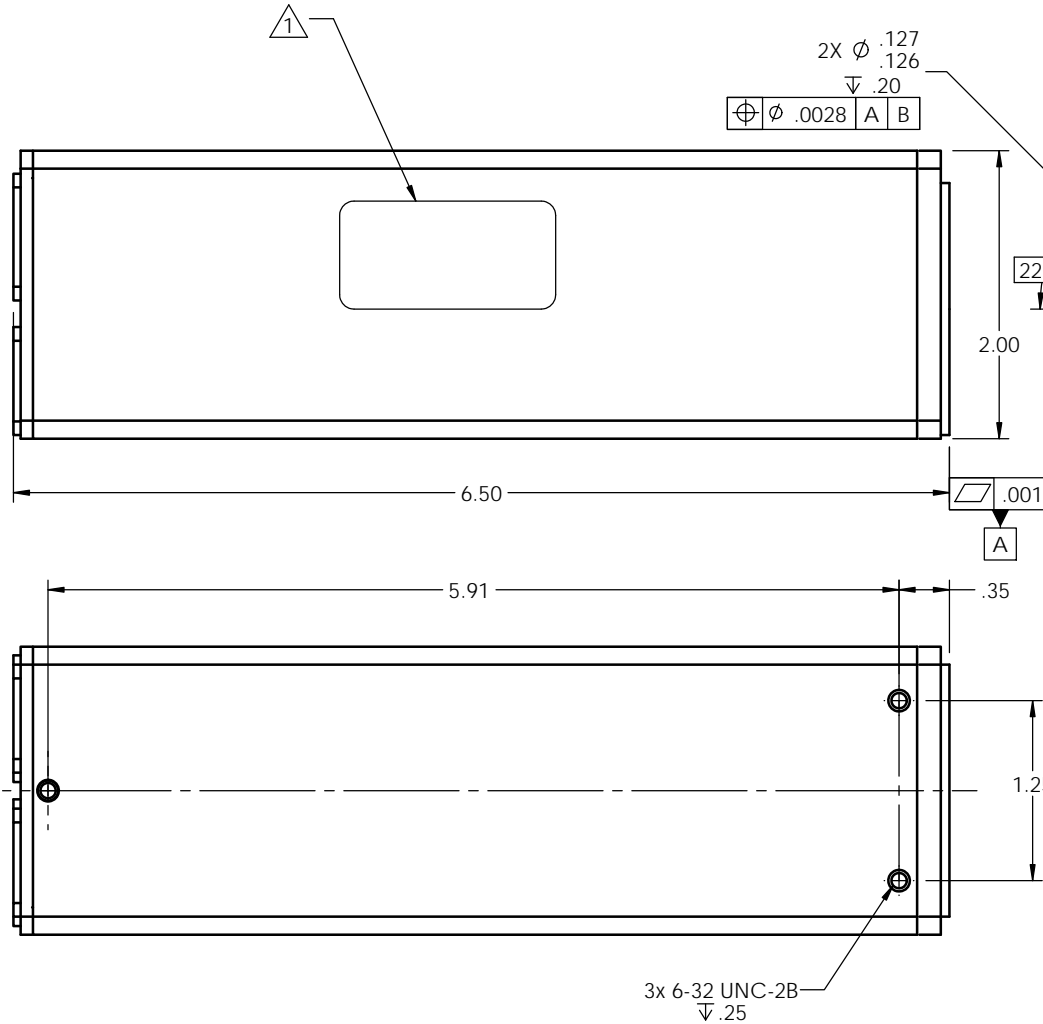
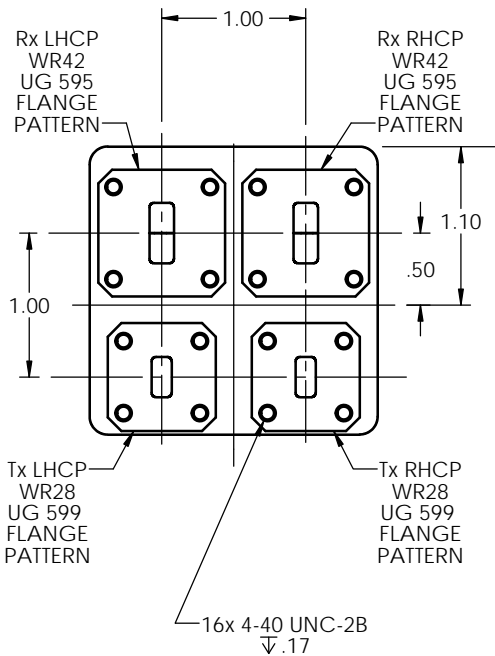


NOTES: UNLESS OTHERWISE SPECIFIED

1 IDENTIFICATION PER QMSP 7550 APPROXIMATELY WHERE SHOWN

REVISIONS				
ZONE	REV.	DESCRIPTION	DATE	APPROVED
	E	REVISED W/CHANGE EC 00514	23 OCT 14	
	F	REVISED W/CHANGE EC 00518	28 OCT 14	
	G	REVISED W/CHANGE EC 00524	24 DEC 14	
	H	REVISED WITH CHANGE 00537	03 MAR 15	
	J	REVISED WITH CHANGE 00542	06 JUL 15	



**SPECIFICATIONS**

**FREQUENCY BAND** Rx: 17.70 - 21.20 GHz  
Tx: 27.50 - 31.00 GHz

**INSERTION LOSS** Rx: 0.40 dB MAX  
Tx: 0.35 dB MAX

**VSWR** Rx: 1.25:1 MAX  
Tx: 1.25:1 MAX

**ISOLATION**  
PORT TO PORT Tx/Rx: 85 dB MIN  
Rx/Tx: 85 dB MIN  
Rx/Rx: 20 dB MIN  
Tx/Tx: 20 dB MIN

**AXIAL RATIO** Rx: 0.40 dB MAX  
Tx: 0.40 dB MAX

**POWER HANDLING** : 500 W CW PER Tx PORT (1 kW TOTAL)

**WEIGHT** : 5.10 Lbs APPROXIMATE

**PRESSURE** : SEALED TO 5.0 PSIG

**FINISH** : PAINT - WHITE COLOR  
No. 17875 IAW FED-STD-595

**INTERFACE DRAWING**

DIMENSIONING AND TOLERANCING PER ASME Y14.5M-1994 ALL DIMENSIONS ARE IN INCHES TOLERANCES: .XX ±.01 .XXX ±.002 .XXXX ±.0010 ANGLES ± 0° 30' ALL MACHINED SURFACES $\nabla$ 32 PROPRIETARY AND CONFIDENTIAL	APPROVALS DRAWN: TOVALIN CHECKED: ISSUED: ENGR: QA:	DATE 06AUG14	SPACETIME ENGINEERING HARBOR CITY, CA 90710 TITLE <b>4-PORT, Ka-BAND, Tx/Rx, CP</b>		
	PROPRIETARY AND CONFIDENTIAL THE INFORMATION CONTAINED IN THIS DRAWING IS THE SOLE PROPERTY OF SPACETIME ENGINEERING CO INC. ANY REPRODUCTION IN PART OR AS A WHOLE WITHOUT THE WRITTEN PERMISSION OF SPACETIME ENGINEERING CO INC. IS PROHIBITED.	EAR CONTROLLED Export or re-export subject to the regulations relating to Commerce and Foreign Trade under CFR title 15 parts 700 - 799		SIZE <b>C</b>	CAGE <b>74MM8</b>
SCALE: 3:2		SHEET 1 of 1			