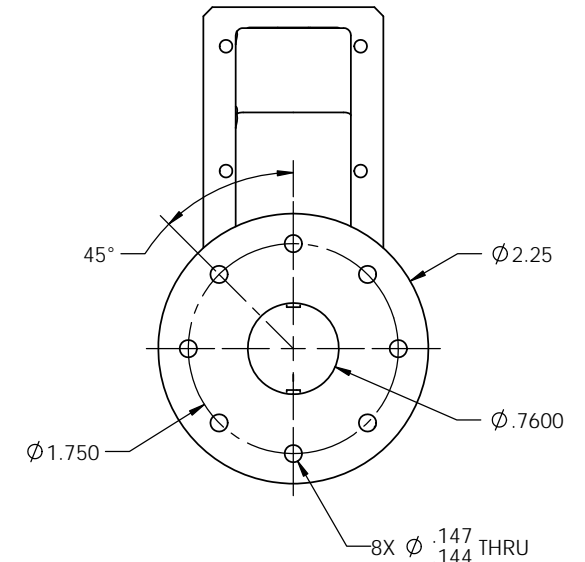
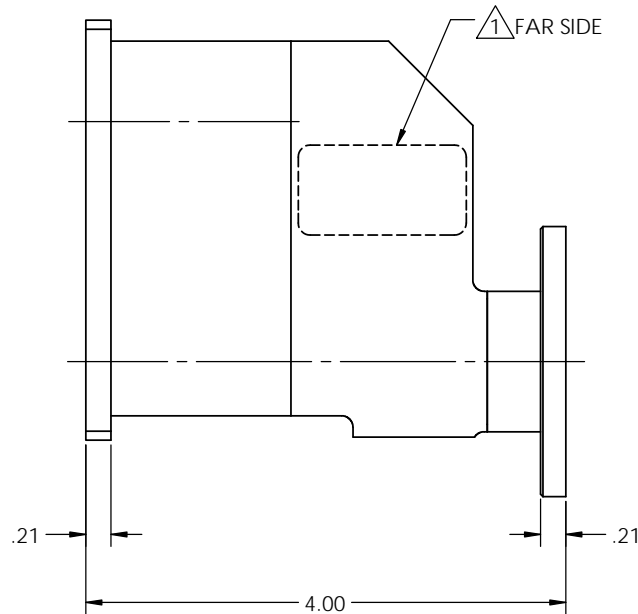
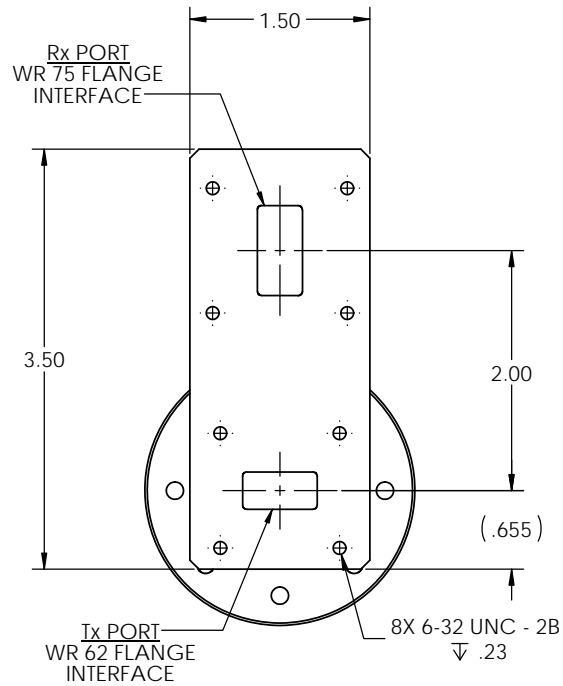


NOTES: UNLESS OTHERWISE SPECIFIED

1 IDENTIFICATION PER QMSP 7550, APPROXIMATELY WHERE SHOWN

REVISIONS				
ZONE	REV.	DESCRIPTION	DATE	APPROVED
	P1	PRELIMINARY	5/15/2014	
	P2	PRELIM	5/16/2014	
	P3	PRELIM - optimized core	02 JUL14	
	P4	PRELIMINARY	8JUL14	
	P5	PRELIM - add sht 2	7/23/2014	
	P6	PRELIMINARY	24 SEP 14	



SPECIFICATIONS

FREQUENCY BAND Rx: 10.70 - 12.75 GHz
Tx: 17.30 - 18.40 GHz

INSERTION LOSS Rx: 0.30 dB MAX
Tx: 0.30 dB MAX

VSWR Rx: 1.25:1 MAX
Tx: 1.25:1 MAX

ISOLATION Tx/Rx: 85 dB MIN (IN THE Tx BAND)
Rx/Tx: 70 dB MIN (IN THE Rx BAND)

CROSS POL : 35 dB MIN

POWER HANDLING : 1.0 KW CW MIN

PRESSURIZATION : SEALED TO 5.0 PSIG

FINISH FLANGE FACES: CHROMATE CONVERSION COATED
EXTERIOR: PAINT - WHITE COLOR No. 17875 IAW FED-STD-595

INTERFACE DRAWING

DIMENSIONING AND TOLERANCING PER ASME Y14.5M-1994 ALL DIMENSIONS ARE IN INCHES TOLERANCES: .XX ±.02 .XXX ±.003 .XXXX ±.0015 ANGLES ± 0° 30' ALL MACHINED SURFACES ³² ✓ PROPRIETARY AND CONFIDENTIAL	APPROVALS DRAWN: E.N.ONCE CHECKED: ISSUED: ENGR: QA:	DATE 15MAY14	SPACETIME ENGINEERING HARBOR CITY, CA 90710 TITLE 2-PORT, Ku-BAND, Tx/Rx, LP	
	PROPRIETARY AND CONFIDENTIAL <small>THE INFORMATION CONTAINED IN THIS DRAWING IS THE SOLE PROPERTY OF SPACETIME ENGINEERING CO INC. ANY REPRODUCTION IN PART OR AS A WHOLE WITHOUT THE WRITTEN PERMISSION OF SPACETIME ENGINEERING CO INC. IS PROHIBITED.</small>			
	MATERIAL EAR CONTROLLED <small>Export or re-export subject to the regulations relating to Commerce and Foreign Trade under CFR title 15 parts 700 - 799</small>	SIZE C		CAGE ICD 10066-001
	SCALE: 1:1	DWG No. ICD 10066-001		REV P6
SHEET 1 of 1				